



ZHEJIANG UNIÜ-NE Technology CO., LTD

浙江宇力微新能源科技有限公司



U0339 Data Sheet

V 1.3

版权归浙江宇力微新能源科技有限公司

28V 3A 500KHz ECOT PSM Sync Step-Down Regulator

General Description

The U0339 is a high frequency, synchronous, rectified, step-down, switch-mode converter with internal power MOSFETs. It offers a very compact solution to provide a 3A max output current over a wide input supply range, with excellent load and line regulation. ECOT PSM control operation provides very fast transient response and easy loop design as well as very tight output regulation.

The U0339 requires a minimal number of readily available, external components and is available in a space saving ESOP8 package.

Packages



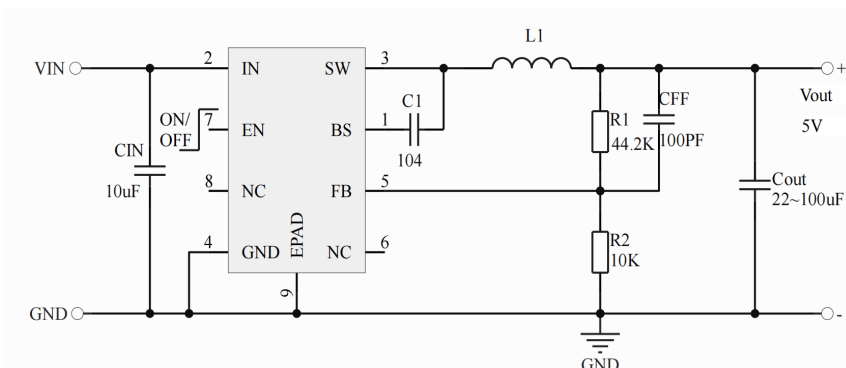
Key Features

- Wide 4.5V to 28V Operating Input Range
- 3A MAX Output Current
- 500KHz Switching Frequency
- ECOT PSM Mode Control with Fast Transient Response
- Built-in Over Current Limit
- Built-in Over Voltage Protection
- PFM Mode for High Efficiency in Light Load
- Internal Soft-Start
- 100mΩ/50mΩ Low RDS(ON) Internal Power MOSFETs
- Output Adjustable from 0.923V
- No Schottky Diode Required
- Short Protection with Hiccup-Mode
- Integrated internal compensation
- Thermal Shutdown
- Available in ESOP8 Package
- -40°C to +85°C Temperature Range

Applications

- Digital Set-top Box (STB)
- HD Blu-ray™ Disc Player
- Security Monitoring
- Digital TV Power
- Network home terminal equipment
- General Purposes

Typical Application Circuit



1.版本记录

DATE	REV.	DESCRIPTION
2018/04/19	1.0	First Release
2021/11/02	1.1	Layout adjustment
2023/12/08	1.2	Optimize input and output capacitance
2024/01/22	1.3	Remove non-mass-produced products

2.免责声明

浙江宇力微新能源科技有限公司保留对本文档的更改和解释权力，不另行通知！客户在下单前应获取我司最新版本资料，并验证相关信息是否最新和完整。量产方案需使用方自行验证并自担所有批量风险责任。未经我司授权，该文件不得私自复制和修改。产品不断提升，以追求高品质、稳定性强、可靠性高、环保、节能、高效为目标，我司将竭诚为客户提供性价比高的系统开发方案、技术支持等更优秀的服务。

版权所有 浙江宇力微新能源科技有限公司/绍兴宇力半导体有限公司

3.联系我们

浙江宇力微新能源科技有限公司

总部地址：绍兴市越城区斗门街道袍渚路25号中节能科创园45幢4/5楼

电话：0575-85087896（研发部）

传真：0575-88125157

E-mail: htw@uni-semic.com

无锡地址：江苏省无锡市锡山区先锋中路6号中国电子（无锡）数字芯城1#综合楼503室

电话：0510-85297939

E-mail: zh@uni-semic.com

深圳地址：深圳市宝安区西乡街道南昌社区宝源路泳辉国际商务大厦410

电话：0755-84510976

E-mail: htw@uni-semic.com